

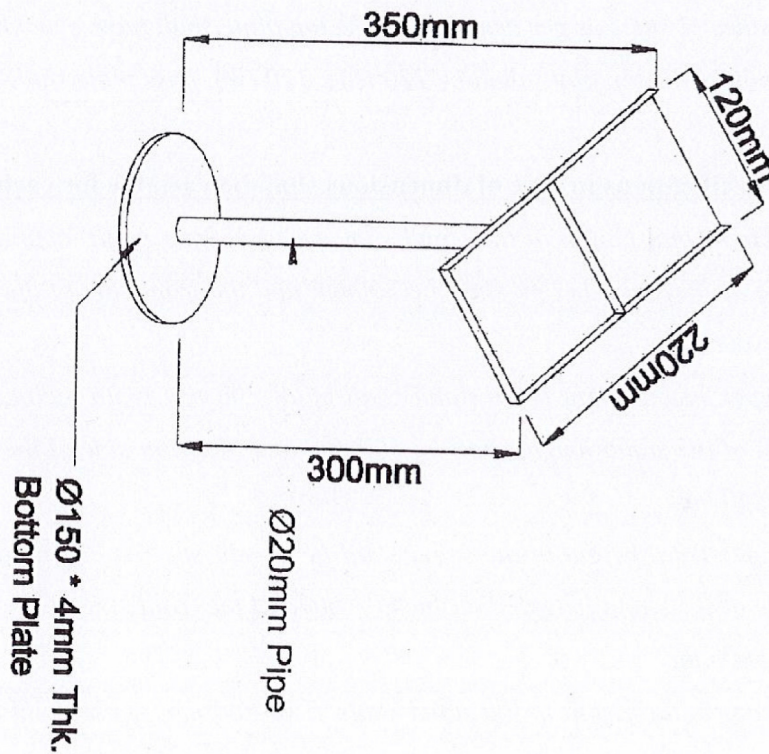


**PASTEUR INSTITUTE OF INDIA
COONOOR-643 103 (NILGIRIS)**

*(Autonomous Institute under the Ministry of Health & Family Welfare,
Govt. of India, New Delhi)*
Ph.0423 2231852, Fax - 0423-2231655, Email: purchasepiic@gmail.com

ANNEXURE-I

SAMPLE DRAWING



Item : SS Petri Dish Stand
M.O.C. : SS 304 Qlty. * 18 Swg
Finish : Matt Finish