



**PASTEUR INSTITUTE OF INDIA
COONOOR-643 103 (NILGIRIS)**

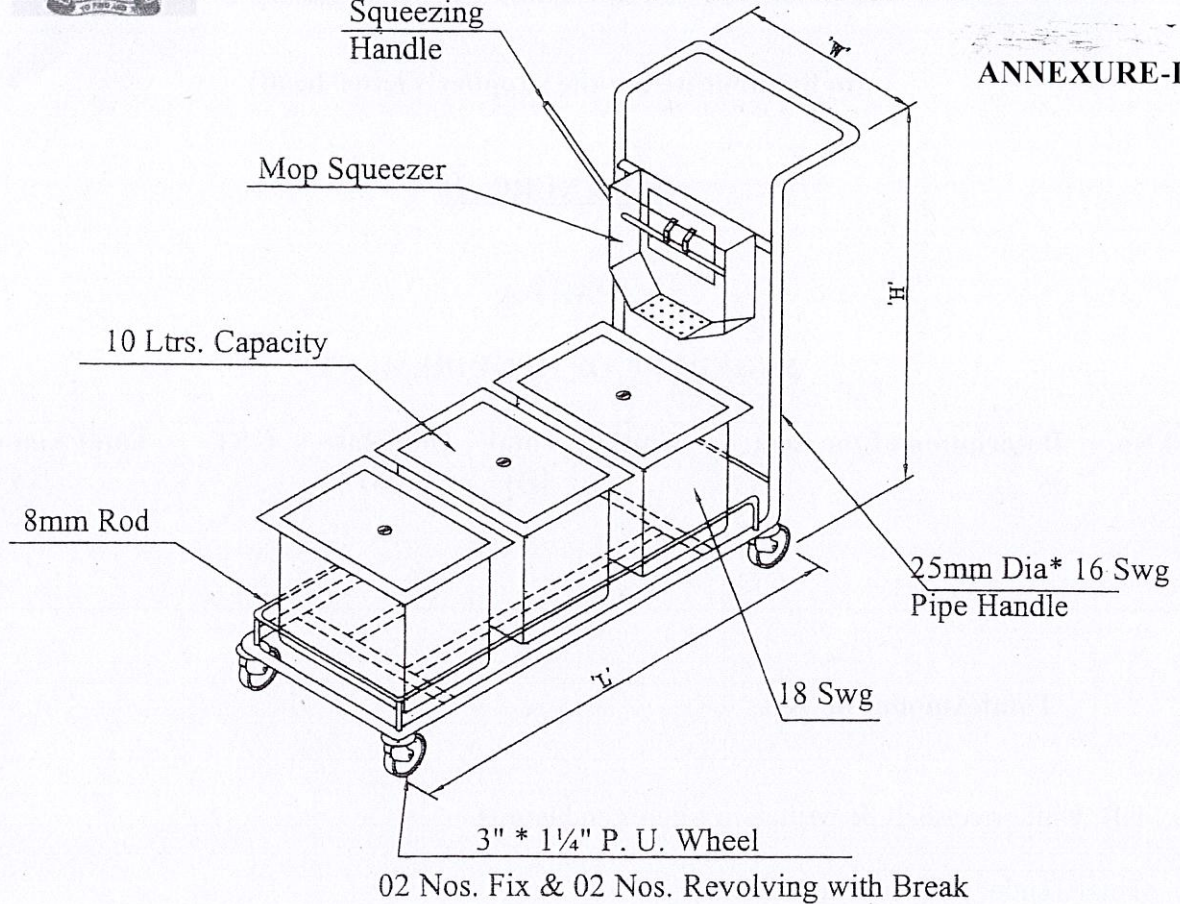
(Autonomous Institute under the Ministry of Health & Family Welfare,
Govt. of India, New Delhi)

Ph.0423 2231852, Fax - 0423-2231655, Email: purchasepiic@gmail.com

Squeezing

Handle

ANNEXURE-I



S. S. FLOOR CLEANING TROLLEY

MOC :- SS 304 Qty

FINISH :- 240 GRIT - MIRROR POLISH

1. The Drawing are for representation only Vendor to design & take approval before manufacturing.
2. Factory Inspection for each design if mandatory before manufacturing entire lot.
3. All equipments should have either the width or depth or length to be less than 700mm & height should be less than 1900mm.